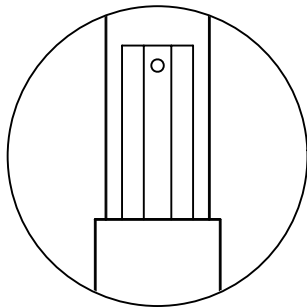
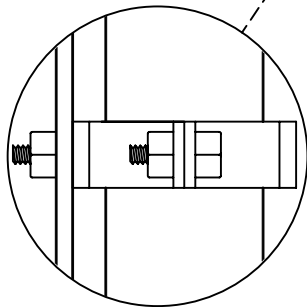
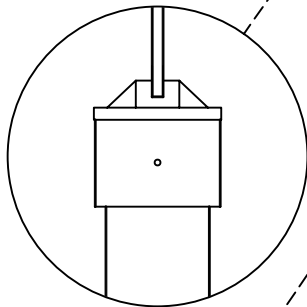
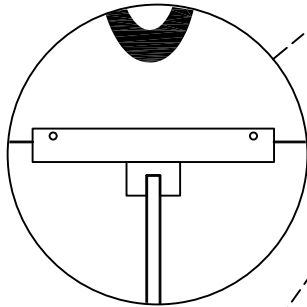


NOTE:

STREET SIGNS TO INDICATE
BLOCK UNIT AND ORDINAL
DESIGNATION AS SHOWN.



① STREET NAME SIGN
24" X 6" OR 36" X 6" FLAT BLADE
GREEN WITH WHITE LETTERS
NO BORDER, HI-INTENSITY
4" AND 2" CAPITAL LETTERS

② STREET SIGN CROSSPIECE
PART # 16503902
(5 1/4" RECEIVER, USE FOR 24" SIGN)
PART # 16503920
(6 1/4" RECEIVER, USE FOR 36" SIGN))
(90° OR 45°)

③ STREET NAME SIGN
SAME AS ABOVE

④ SIGN MOUNTING BRACKET
PART # 12601000
2 1/2" CAP (WITH SIGN MOUNT)

⑤ SIGN MOUNTING BRACKET
PART # 16501520
USE FOR POZ-LOC ANCHOR SYSTEM
AND POZ-LOC SLIP BASE SYSTEM

⑥ STREET SIGN POST
12' GALVANIZED ROUND STEEL POST
0.065 WALL THICKNESS
2 3/8" DIA.

⑦ STREET SIGN HARDWARE
2 3/8" POST WEDGE

⑧ STREET SIGN HARDWARE
27" POST SOCKET
2 7/8" DIA.

① ② ③ ④ ⑤ ⑥

CAN BE OBTAINED FROM TRAFFIC SAFETY SUPPLY
1-800-547-8618

⑦ ⑧

CAN BE OBTAINED FROM SOUTHWESTERN PIPE, INC.
1-713-863-4300

PRIOR TO SIGN INSTALLATION, CONTRACTOR
TO STAKE PROPOSED LOCATIONS OF EACH
SIGN AND CONTACT THE CITY PUBLIC WORKS
DEPARTMENT FOR INSPECTION AND APPROVAL.



DESCRIPTION:

Poz-Loc Street Sign Components

DATE: 12/29/06

DRAWN BY: TRW

SHEET: EXHIBIT